



**examkill**  
affordable exams preparation material

# NetApp

*NS0-509*

*NetApp Certified Implementation Engineer - SAN Specialist*

- **Up to Date products, reliable and verified.**
- **Questions and Answers in PDF Format.**

**For More Information – Visit link below:**

**<https://www.examkill.com/>**

## Version product

## Question: 1

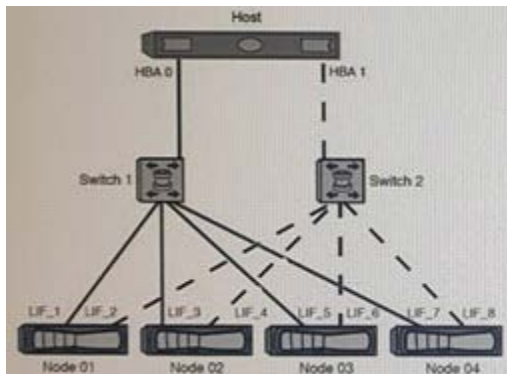
An administrator has an AFF A200 cluster at their primary site that is used for FC connectivity to servers. For disaster recovery purposes they want to start replicating their data to another AFF A300 cluster in a secondary location. The AFF A300 is in a site that has no FC or FCoE capable switches, and is currently only used for CIFS data. A cluster peering relationship already exists between the two clusters. Which three additional actions are needed for the data to be ready for access from hosts at the secondary site? (Choose three.)

- A. Create zones with the appropriate initiators and targets for the secondary site.
- B. Enable the iSCSI service on the SVM at the secondary site.
- C. Replicate the data from the primary site to the secondary site with SnapMirror.
- D. Create new iSCSI igroups for LUN mapping.
- E. Enable the iSCSI service on the SVM at the primary site.

**Answer: B, C, D**

## Question: 2

Exhibit.



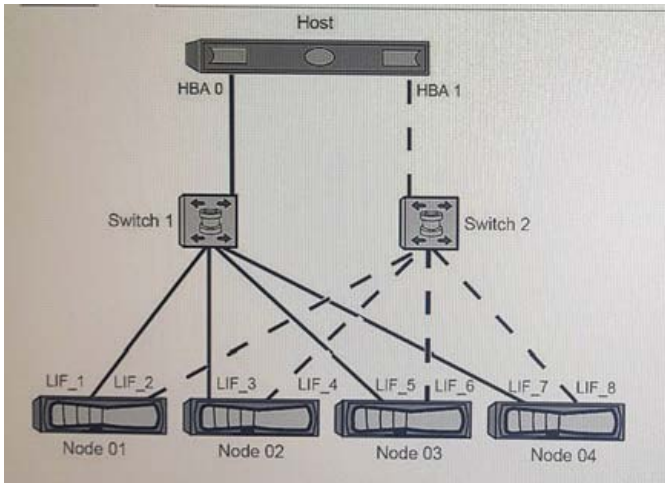
Referring to the exhibit, which type of zoning should be used?

- A. a WWPN with a single initiator and multiple targets
- B. a WWPN with a single initiator and a single target
- C. a WWNN with a single initiator and multiple targets
- D. a WWNN with a single Initiator and a single target

**Answer: B**

## Question: 3

Exhibit.



A customer has an AFF A200 with a LUN residing in a volume by Node 4. The default Selection Mapping settings are effect. During a planned takeover cluster test, Node 3 performs a take over of Node 4. Referring to the exhibit, what is the expected number of paths seen from the host?

- A. 6
- B. 8
- C. 4
- D. 2

**Answer: A**

**Question: 4**

You have inherited a small FC SAN infrastructure that consists of 15 servers (hosts), two Cisco MDS 9148s switches, and a 4-node NetApp AFF A300 cluster. You suspect that your predecessor did not configure zoning according to best practices.

In this scenario, what information is necessary to audit your SAN zoning? (Choose two.)

- A. SVM WWNNs
- B. SVN LIF WWPNs
- C. Controller port WWPNs
- D. Host GBA WWPNs

**Answer: B, D**

**Question: 5**

Which formula is appropriate for calculating target port Queue Depth?

- 
- A. The number of LIFs using a physical port \* 256
  - B. The sum of the Queue Depth setting for all hosts using a physical port
  - C. The number of LIFs using the physical port \* Maximum Host HBA Queue Depth setting
  - D. The number of physical ports \* 2048

**Answer: C**

### Question: 6

When planning out a new FC SAN implementation for a AFF cluster, which two variables should be considered for a highly-available, resilient solution? (Choose two.)

- A. Length of LC/LC optic cables
- B. Multiple disk shelves
- C. Multiple PDUs connected to separate circuits
- D. Data-fabric zones using multiple switches

**Answer: C, D**

---

For More Information – Visit link below:

<https://www.examkill.com/>

## FEATURES:

- 100% Pass Guarantee
- 30 Days Money Back Guarantee
- 24/7 Live Chat Support (Technical & Sales)
- Instant download after purchase
- 50,000 +ve Reviews
- 100% Success Rate
- Discounts Available for Bulk Orders
- Updates are free for 90 days
- Verified answers by experts

